

VISTA

Superior long-range MWIR series



SIERRA-OLYMPIC
Technologies Inc.

Cutting-edge, cooled mid-wave infrared technology inside an IP67 housing, the Vista camera series offers stunning image quality and clarity for demanding long-range thermal imaging applications.



Short Range (300mm)

Medium Range (550mm)

Long Range (785mm)

- + 300, 550, 785 and 785HD models
- + IP67 and MIL-STD 810F rated
- + Cooled MWIR delivers superb imagery
- + Motorized continuous optical zoom
- + 1280 x 1024 resolution in HD model

Details

With IP67 and MIL-STD 810F ratings, the Vista is designed for all-conditions, around the clock operation in critical applications when smooth zoom and focus, reliable operation and crisp imagery are essential. The Vista SD 300, 550 and 785 models are equipped with a cooled, 640 x 512 focal plane array detector, while the HD 785 features a larger 1280 x 1024 detector for more pixels on target and sharper imagery at extreme distances.

The Vista's detector is optimized for spectral response in the mid-wave infrared spectrum, commonly considered the best technology for imaging in variable, marine and high humidity environments. In addition to its rugged housing, the unit is sealed dry nitrogen backfilled to further ensure consistent and quality imagery through a range of environmental conditions



Imaging distance: 6 km, 785HD



Applications

- + Superior long-range imaging
- + Port, airport, border security
- + Around-the-clock monitoring
- + Security and surveillance
- + Manned, Unmanned Vehicles
- + Border security
- + Long-distance DRI
- + Asset/infrastructure protection

VISTA



SIERRA-OLYMPIC
Technologies Inc.

Superior long-range MWIR series

Feature Specs

Model	Vista 300	Vista 550	Vista 785 SD	Vista 785 HD
Resolution	640 x 512	640 x 512	640 x 512	1280 x 1024
Pixel size(μm)	15	15	15	10
Lens EFL (mm)	16.7-330	30-550	44-785	44-785
Optical Zoom	18x	18x	18x	18x
Lens F#	4.0	4.0	4.0	4.0
HFOV wide (deg)	32	18	12	16.6
HFOV narrow (deg)	1.8	1	.7	.9
Length (in/cm)	15.3 / 39.05	18.8 / 47.9	25.4 / 64.5	25.4 / 64.5
Camera width (in/cm)	5.75 / 14.6	6.9 / 17.5	9.25 / 23.5	9.25 / 23.5
Weight (lbs/kg)	11.8 / 5.35	13.5 / 6.12	29.7 / 13.5	29.7 / 13.5



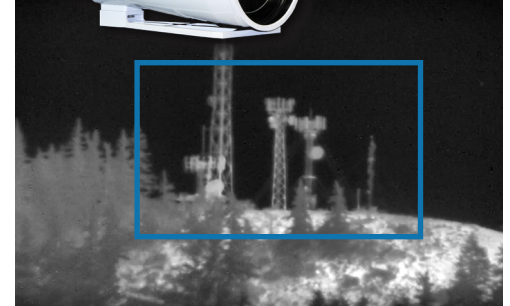
Vista 300



Vista 550

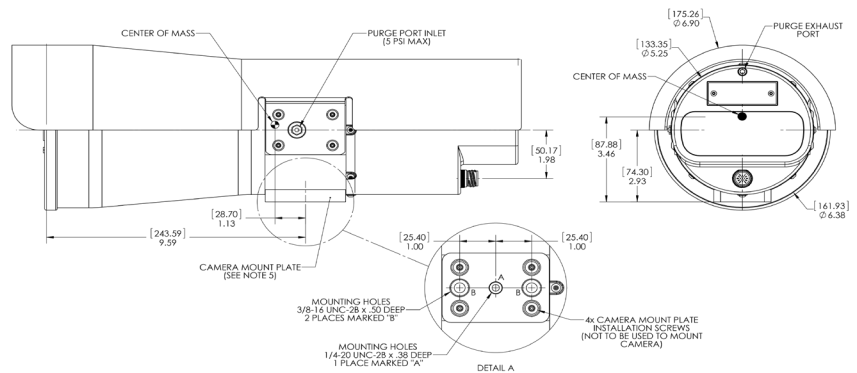


Vista 785



Interface/Environmental

Focus	Autofocus, Manual
Video Output	PAL/NTSC/SD-SDI, IP (optional) / 785 HD model: HD-SDI, IP
Control	RS-232/422 serial interface, IP (optional)
Image Processing	Manual contrast and brightness adjustment, linear AGLC, sharpness filters, adaptive histogram equalization and white hot / black hot image display
Sealed	Unit sealed and dry nitrogen backfilled, rated IP67 and MIL-STD 810F; Front element defroster



Export Classification: Dual Use